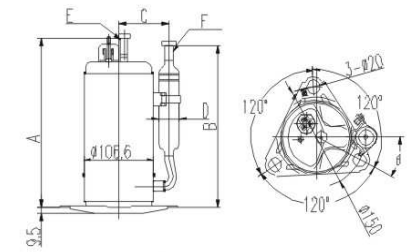
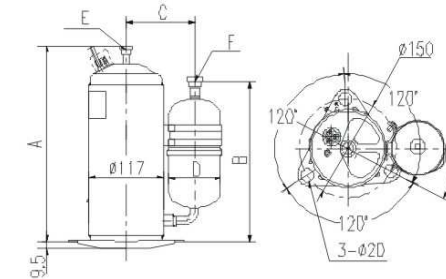


系列 Series	电源 Power Source	型名 Model	排量 Displ.	制冷量 Capacity		功率 Power	能效比 COP	电容 Capacitor	外形尺寸 Outside Dimensions					
			(Cm <sup>3</sup> /rev)	W	BTU/H	W	W/W	μ F-V	A(mm)	B(mm)	C(mm)	D(mm)	E(mm)	F(mm)
X1	1 φ-50Hz-220/240V	PA82X1C-4DZDE	8.2	1920/1950	6547/6650	660/680	2.91/2.87	25/370	278	250	94	55	φ8.1	φ9.8
		PA89X1C-4DZDE	8.9	2070/2100	7059/7161	715/730	2.90/2.88	25/370	278	250	94	55	φ8.1	φ9.8
		PA93X1C-4DZDE	9.3	2200/2220	7502/7570	770/805	2.86/2.76	25/370	278	250	94	55	φ8.1	φ9.8
		PA103X1C-4DZDE	10.3	2490	8491	838	2.97	***开发中 Under development						
		PA108X1C-4FZDE	10.8	2570/2600	8764/8866	885/915	2.90/2.84	25/370	278	242	109	80	φ8.1	φ12.9
		PA118X1C-4FZ	11.8	2800/2815	9548/9599	965/985	2.90/2.86	25/370	278	242	109	80	φ8.1	φ12.9
	1 φ-60Hz-208/230V	PA82X1C-3FZDU	8.2	2360/2390	8048/8150	795/805	2.97/2.97	30/370	278	242	109	80	φ8.1	φ12.9
		PA89X1C-3FZDU	8.9	2600/2640	8866/9002	880/895	2.95/2.95	30/370	278	242	109	80	φ8.1	φ12.9
		PA108X1C-3FZDU	10.8	3180/3225	10844/10997	1070/1075	2.97/3.00	35/370	278	242	109	80	φ8.1	φ12.9
	1 φ-60Hz-115V	EA82X1C-1FZDU1	8.2	2385	8133	810	2.94	45/250	278	242	109	80	φ8.1	φ12.9
		EA89X1C-1FZDU1	8.9	2565	8747	870	2.95	45/250	278	242	109	80	φ8.1	φ12.9
		EA103X1C-1FZDU1	10.3	3035	10349	1030	2.95	45/250	278	242	109	80	φ8.1	φ12.9
		EA108X1C-1FZDU1	10.8	3190	10878	1080	2.95	45/250	278	242	109	80	φ8.1	φ12.9
		EA118X1C-1FZDU1	11.8	3465	11816	1175	2.95	45/250	278	242	109	80	φ8.1	φ12.9
	X2	1 φ-50Hz-220/240V	PA140X2C-4FT	13.9	3365/3385	11475/11543	1160/1200	2.90/2.82	35/370	298	241	115	80	φ8.1
PA145X2C-4FT			14.5	3520/3550	12003/12106	1215/1245	2.90/2.85	35/370	298	241	115	80	φ8.1	φ12.9
PA150X2C-4FT			15.1	3660/3690	12481/12583	1260/1295	2.90/2.85	35/370	298	241	115	80	φ8.1	φ12.9
PA160X2C-4FT			16.0	3910/3930	13333/13401	1350/1400	2.90/2.81	35/400	298	241	115	80	φ8.1	φ12.9
PA200X2CS-4KU1			20.0	4840/4890	16504/16675	1655/1720	2.92/2.84	45/370	340	315	115	80	φ8.1	φ12.9
PA215X2CS-4KU1			21.6	5340/5410	18209/18448	1830/1905	2.92/2.84	50/370	340	315	115	80	φ8.1	φ12.9
PA225X2CS-4KU1			22.4	5420/5480	18482/18687	1855/1940	2.92/2.82	50/370	340	315	115	80	φ8.1	φ12.9
PA240X2CS-4KU1			23.9	5800/5850	19778/19949	1985/2060	2.92/2.84	50/370	340	315	115	80	φ8.1	φ12.9
1 φ-60Hz-208/230V		PA150X2CS-3KUU	15.1	4445/4500	15157/15345	1505/1510	2.95/2.98	40/370	321	315	115	80	φ8.1	φ12.9
		PA160X2CS-3KUU	16.0	4720/4770	16095/16266	1600/1630	2.95/2.93	40/370	321	315	115	80	φ8.1	φ12.9
		PA200X2CS-3MUU	20.0	5940/5985	20255/20409	2015/2050	2.95/2.92	50/370	340	315	115	80	φ8.1	φ12.9
		PA270X3CS-4MU1	26.9	6650/6700	22677/22847	2270/2370	2.93/2.83	50/400	340	345	122	80	φ9.8	φ16.2
X3	1 φ-50Hz-220/240V	PA290X3CS-4MU1	28.8	7180/7210	24484/24586	2430/2540	2.95/2.84	50/400	356	345	122	80	φ9.8	φ16.2
		PA330X3CS-4MU1	32.6	8150/8170	27792/27860	2760/2900	2.95/2.82	55/400	382	351	122	80	φ9.8	φ16.2
		EA48G0C-1AJDU	4.8	1390	4740	470	2.95	***开发中 Under development						
G0	1 φ-60Hz-115V	EA50G0C-1AJDU	5.0	1460	4979	495	2.95	***开发中 Under development						
		EA55G0C-1AJDU	5.5	1590	5422	540	2.95	***开发中 Under development						
		EA58G0C-1AJDU	5.8	1680	5729	570	2.95	***开发中 Under development						
		EA65G0C-1AJDU	6.5	1890	6445	640	2.95	***开发中 Under development						
		EA72G0C-1AJDU	7.2	2100	7161	710	2.95	***开发中 Under development						

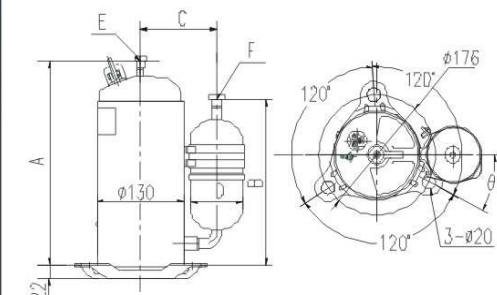
外形尺寸 OUTSIDE DIMENSIONS



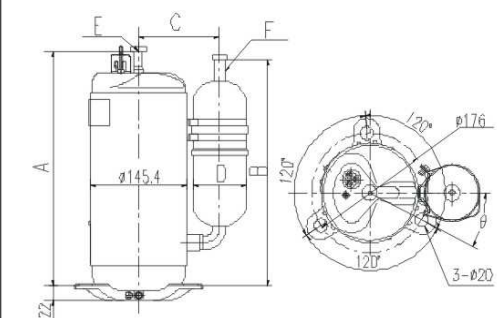
G0系列 (φ150) / G0 SERIES (φ150)



X1系列 (φ150) / X1 SERIES (φ150)



X2系列 (φ176) / X2 SERIES (φ176)



X3系列 (φ176) / X3 SERIES (φ176)