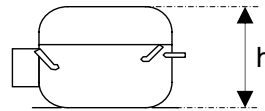


OPERATION:

Application:	L.B.P.	Max. Ambient Temp:	43°C
Refrigerant:	R134a	(1) Max. Steady Discharge Temp:	120°C
Operation:	Capillary	(1,2) Max. Peak Discharge Temp:	135°C
Cooling:	Static	Max. Steady Condensing Temp:	60°C
		(2) Max. Peak Condensing Temp:	70°C
		Max. Winding Temp:	130°C
		Max. Impurities:	30 mg
		Max.Total Compressor Water Content:	100 mg

COMPRESSOR:

Displacement:	7.00 cc	Oil Type:	Ester
		(4) Viscosity:	15 cSt
		Suction Muffler:	Semi-direct
(3) Net Wt:	7.7 kg		
Case Size:	2 (h = 169.5 mm)		
Oil Charge:	180 cc		



ELECTRICAL:

Power Supply:	220 - 240V	Motor Type:	RSIR
Voltage Limits:	187 - 264V	Locked Rotor Current:	13.5 / 6.4 A**
Frequency:	50 Hz		
Phase:	1 ph		
		Main Winding Resistance at 25°C:	13.0 Ω
		Start Winding Resistance at 25°C:	14.8 Ω

** Maximum current / Measured after 4 seconds

- (1) Measured 5cm. from the shell with insulated thermocouples
- (2) For transient conditions during 'Pull Down'
- (3) Net weight is with oil but without electrics
- (4) Measured at 40°C

*For rated performance,
the suction line must be connected to the stub
marked 'AS' on the attached drawing.*

ELECTRICAL COMPONENTS:

ECC Starting Device: K 100-xx
Starting Device: PTC- 8100
(1) Starting Device: PTC - 7100DT
PTC Resistance: 14 Ω

-xx Protector short code

PROTECTORS: **BDG ¾**

Type	AE 72 FU x
Open °C	115 - 125 °C
Close °C	71 - 53 °C
U.T.C	2.10 A 70 °C
Time Check Current	8.60 A
Max. Current	17.0 A
Code (if any)	FP

Type	WANBAO
Open °C	105 - 115 °C
Close °C	70 - 52 °C
U.T.C	2,22 A 70 °C
Time Check Current	8,8 A
Max. Current	18,0 A
Code (if any)	M9

Alt. protectors: AF 72 FU x
Code (if any) DT

*BDG 'x' Codes: 6 for terminal boards Mod.89,90
8 for terminal board Mod.91
4 for UH protector with 6.3mm fast-on
5 for UH protector with M3.5 screw*



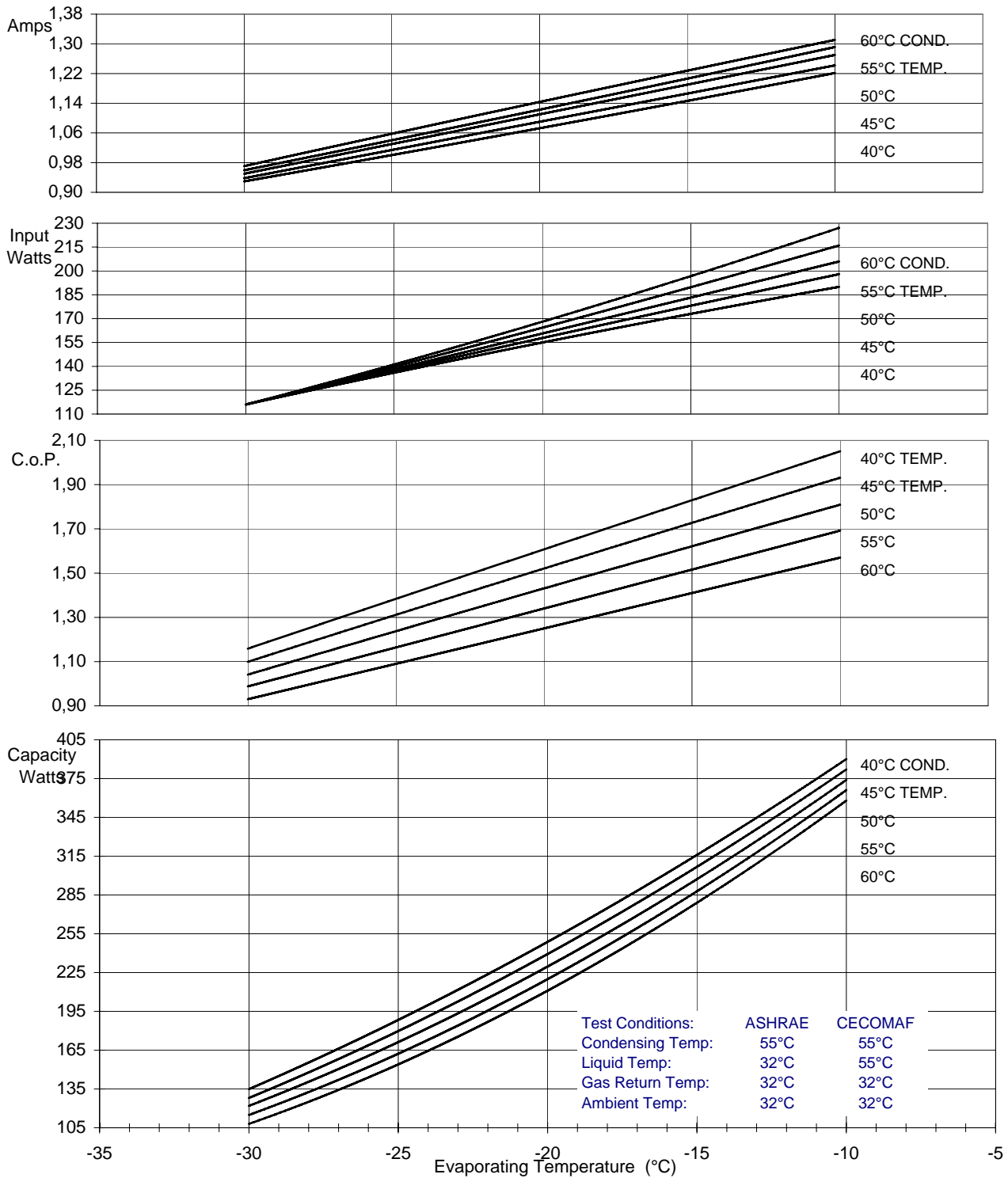
GVM66AA

PRODUCT SPECIFICATION

PERFORMANCE:

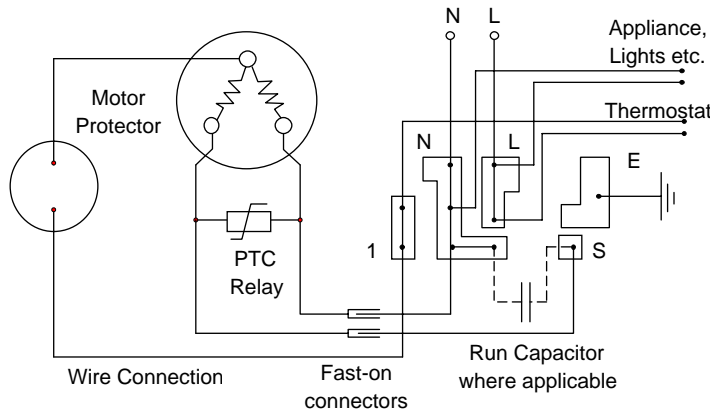
(Graphs are at ASHRAE conditions)

220V 50Hz

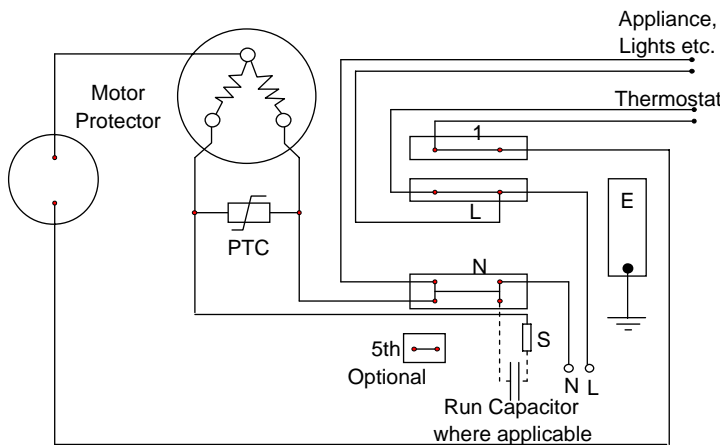


	Evaporating Temperature °C	-30	-25	-23,3	-20	-15	-10	
ASHRAE:	Capacity	W	115	162	181	220	288	366
	C.o.P.	W / W	0,99	1,16	1,22	1,34	1,52	1,69
CECOMAF:	Capacity	W	94	133		180	235	298
	C.o.P.	W / W	0,81	0,95		1,10	1,24	1,38
	Input Power	W	116	140	148	164	190	216
	Current	A	0,96	1,04	1,07	1,12	1,21	1,29

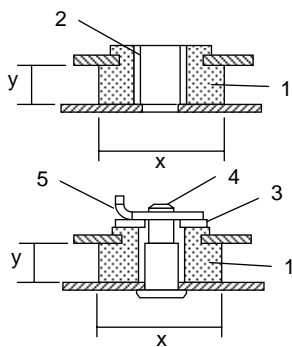
Circuit Diagram for Mod.90 Terminal Board



Circuit Diagram for ECC Terminal Board Frontal Version

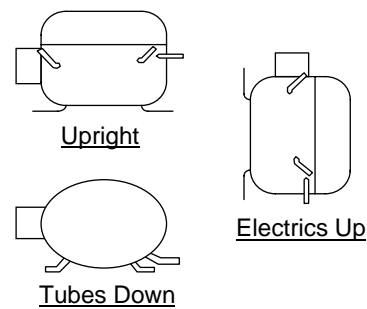


Mounting Accessories



- $x = 24$ or 26 or 28.5mm
 $y = 9\text{mm}$ or 10.3mm
 Other sizes available
1. Rubber grommet
 2. Sleeve
 3. Washer
 4. Steel pin
 5. Clip

Recommended Transport Positions when fitted into appliances



Compressor Label

