

LG INVERTER BLDC COMPRESSOR R410A

MODEL	MAIN DRIVER SUPPLY	COOLING CAPACITY		COMPRESSOR TYPE	REFRIGERANT	MOTOR TYPE	rps RANGE
		W at 60Hz	COP (W/W)				
GA072MFA	220-240V, 1PH - 50-60Hz	2228	3.25	Single Rotary	R410A	BLDC	15-120
GA102D/M	220-240V, 1PH - 50-60Hz	3223	3.22	Single Rotary	R410A	BLDC	15-120
GKT141D/M	220-240V, 1PH - 50-60Hz	4249	3.16	Twin Rotary	R410A	BLDC	15-120
GJT240D/M	220-240V, 1PH - 50-60Hz	7414	3.19	Twin Rotary	R410A	BLDC	15-100
GPT425DB	220-240V, 1PH - 50-60Hz	14066	3.31	Twin Rotary	R410A	BLDC	15-100
GPT425DA	380-420V, 3PH - 50-60Hz	14066	3.25	Twin Rotary	R410A	BLDC	15-100
ABA042DB	380-420V, 3PH - 50-60Hz	13000	3.10	Scroll LSS	R410A	BLDC	25-105
JQA048MA	380-420V, 3PH - 50-60Hz	14600	3.20	Scroll HSS	R410A	BLDC	15-150
JBA068MA	380-420V, 3PH - 50-60Hz	20400	3.04	Scroll HSS	R410A	BLDC	15-150

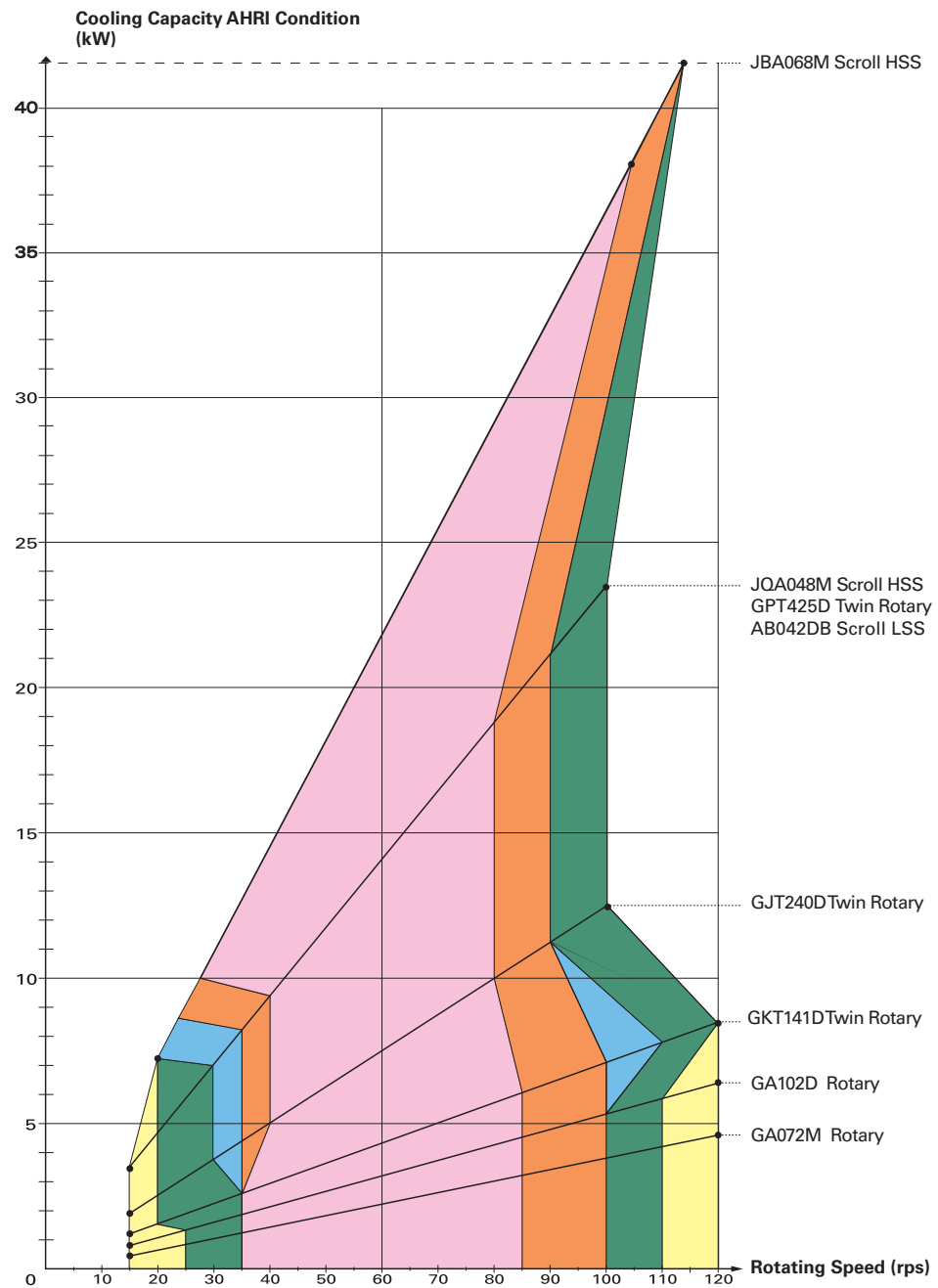
Rated Test Condition

ROTARY ASHRAE-T

- Evap. +7.2 °C
- Cond. +54.4 °C
- Liquid +46.1 °C
- Amb. +35 °C
- Suction +35 °C

SCROLL AHRI

- Evap. +7.2 °C
- Cond. +54.4 °C
- Liquid +46.1 °C
- Amb. +35 °C
- Suction +18.3 °C



High Shell Side Scroll



Low Shell Side Scroll

Max. Cond. Pressure	Max. Cond. Temp.
42 BarG	66 °C
36 BarG	59 °C
33 BarG	55 °C
30 BarG	51 °C
24 BarG	42 °C

Embrital
compressor solutions



Viale Lino Zanussi 8/c
33170 Pordenone (Italy)
Tel. +39 0434 572711
Fax +39 0434 571770
info@embrital.com
www.embrital.com

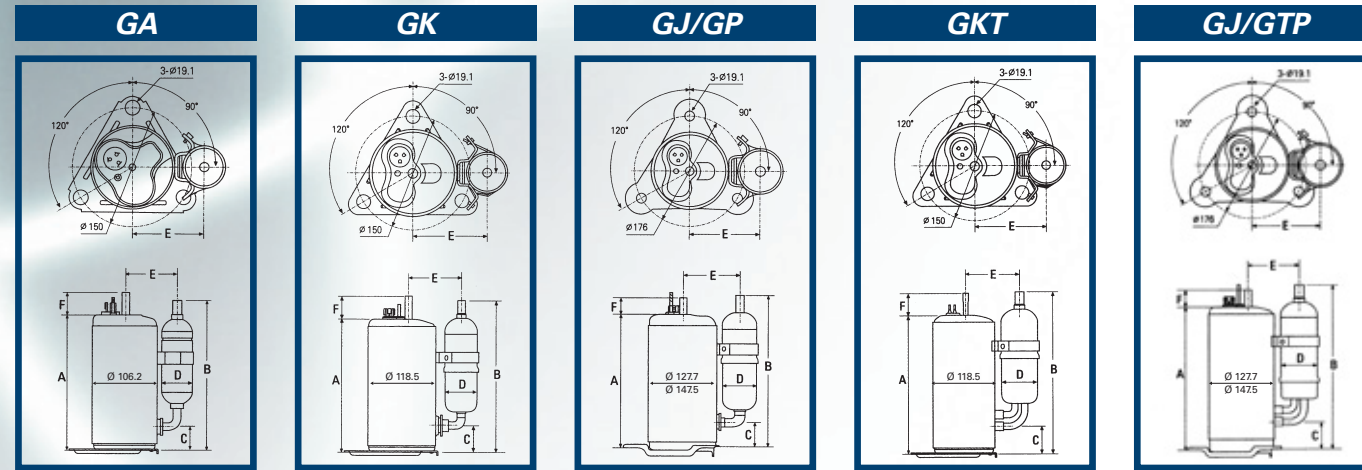
Rotary&Scroll
Compressors
for Air Conditioning System



Embrital
compressor solutions

LG ROTARY COMPRESSOR R410A

MODEL	POWER SOURCE	COOLING CAPACITY		EER	COP	OIL CHARGE	WEIGHT	DIMENSIONS mm			
		(Btu/hr)	Watts					A	B	C	D
GA066P	1PH, 220/240V - 50Hz	5400	1582	9.4	2.75	240	8.6	225.1	273.9	38.9	50.8
GA086P	1PH, 220/240V - 50Hz	6950	2037	8.9	2.61	230	8.7	232.2	280.9	45.9	50.8
GK094P	1PH, 220/240V - 50Hz	7750	2271	9.7	2.84	330	12.0	229.3	243.6	43.6	50.8
GK113P	1PH, 220/240V - 50Hz	9100	2667	9.7	2.84	330	11.7	219.3	235.6	33.6	65.0
GK151P	1PH, 220/240V - 50Hz	12400	3634	9.6	2.81	350	12.5	232.3	285.6	33.6	65.0
GJ176P	1PH, 220/240V - 50Hz	14500	4249	9.5	2.78	440	14.7	254.6	320.2	37.2	75.0
GJ222P	1PH, 220/240V - 50Hz	18700	5480	9.7	2.84	440	15.2	266.3	324.9	41.9	75.0
GP270P	1PH, 220/240V - 50Hz	23400	6857	9.7	2.87	700	22.1	295.0	345.3	53.3	75.0
GP290P	1PH, 220/240V - 50Hz	24800	7267	9.9	2.90	700	22.2	320.0	406.4	78.4	90.0
GPT330P	1PH, 220/240V - 50Hz	28000	8205	10.0	2.93	1200	25.0	355.0	416.6	106.6	90.0
GPT330Y	3PH, 380/420V - 50Hz	27200	7971	9.8	2.87	1200	25.0	364.0	340.5	73.9	90.0
GPT407P	1PH, 220/240V - 50Hz	35000	10256	9.9	2.90	800	25.0	355.0	340.5	73.9	90.0



LG SCROLL COMPRESSOR R410A

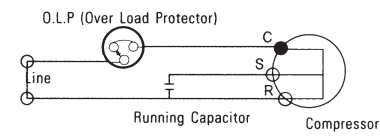
MODEL	POWER SOURCE	COOLING CAPACITY		EER	COP	OIL CHARGE	WEIGHT	DIMENSIONS mm			
		(Btu/hr)	Watts					A	B	C	D
AQA028P	1PH, 220/240V - 50Hz	23600	6916	9.22	2.70	750	27.2	265.6	381.5	404.7	415.1
AQA036P	1PH, 220/240V - 50Hz	29850	8753	9.25	2.71	800	26.5	265.6	381.5	404.7	415.1
AQA042P	1PH, 220/240V - 50Hz	34775	10197	9.15	2.68	900	27.0	265.6	381.5	404.7	415.1
ARA049P	1PH, 220/240V - 50Hz	42200	12375	9.90	2.90	1800	42.6	304.7	421.3	450.3	464.3
ARA049Y	3PH, 380/420V - 50Hz	42250	12309	10.20	2.99	1800	29.0	304.7	421.3	450.3	464.3
ARA061Y	3PH, 380/420V - 50Hz	51750	15175	10.25	3.00	1800	39.0	304.7	421.3	450.3	464.3
ARA073Y	3PH, 380/420V - 50Hz	62250	18255	10.30	3.02	1800	39.0	304.7	421.3	450.3	464.3
ARA081Y	3PH, 380/420V - 50Hz	68500	20076	10.20	2.99	1800	39.0	304.7	421.3	450.3	464.3

LG ROTARY HIGH EFFICIENCY R410A

MODEL	POWER SOURCE	COOLING CAPACITY		EER	COP	OIL CHARGE	WEIGHT	DIMENSIONS mm			
		(Btu/hr)	Watts					A	B	C	D
GKS094P	1PH, 220-240V - 50Hz	7700	2271	10.3	2.99	330	11.9	224.3	251.6	31.6	65.0
GKS134P	1PH, 220/240V - 50Hz	10900	3196	10.0	2.99	370	12.45	233.6	293.9	43.9	75.0
GKS151P	1PH, 220-240V - 50Hz	12400	3634	10.2	2.99	350	12.5	228.0	262.6	33.6	75.0
GJS222P	1PH, 220-240V - 50Hz	18700	5480	10.3	3.02	440	15.2	264.2	320.0	37.2	75.0
GPS250P	1PH, 220-240V - 50Hz	21350	6250	10.2	2.97	750	22.0	295.0	361.3	53.3	90.0

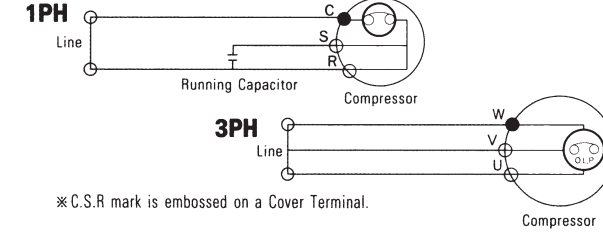
WIRING DIAGRAM ROTARY COMPRESSOR

for External OLP Wiring Diagram



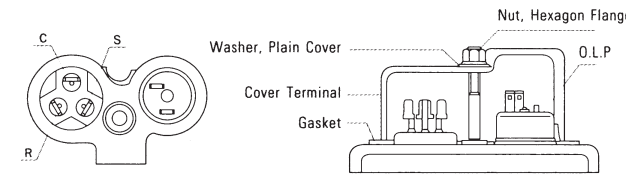
※ C.S.R mark is embossed on a Cover Terminal.

for Internal OLP Wiring Diagram

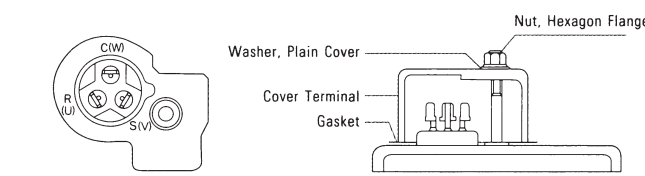


※ C.S.R mark is embossed on a Cover Terminal.

Cover Terminal Fitting



Cover Terminal Fitting



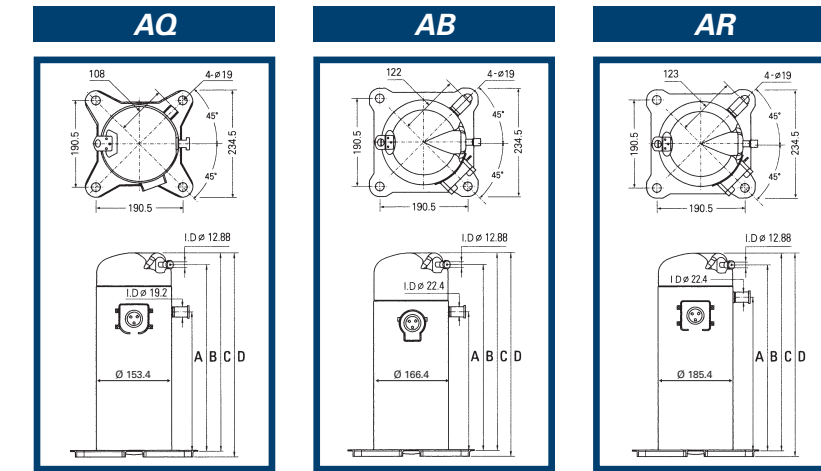
LG ROTARY HIGH EFFICIENCY R134a

MODEL	POWER SOURCE	COOLING CAPACITY		EER	COP	OIL CHARGE	WEIGHT	DIMENSIONS mm			
		(Btu/hr)	Watts					A	B	C	D
EKS120P	1PH, 220-240V - 50Hz	4650	1363	9.50	2.78	280	9.4	205.0	239.0	38.0	50.8

Rated Test Condition (ASHRAE-T Condition, dew-dew)

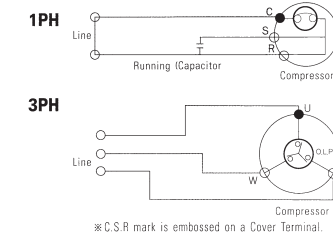
Compressor Cooling: Natural Convection

- Condensing Temp. +54.4 °C
- Evaporating Temp. +7.2 °C
- Liquid Temp. +46.1 °C
- Ambient Temp. +35.0 °C
- Return Gas Temp. +35.0 °C



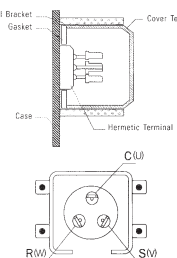
WIRING DIAGRAM SCROLL COMPRESSOR

Wiring Diagram



※ C.S.R mark is embossed on a Cover Terminal.

Cover Terminal Fitting



Rated Test Condition (AHRI)

Compressor Cooling: Natural Convection

- Condensing Temp. +54.4 °C
- Evaporating Temp. +7.2 °C
- Liquid Temp. +46.1 °C
- Ambient Temp. +35.0 °C
- Return Gas Temp. +18.3 °C